



# Aveco External Database

Technical Reference Sheet



---

# Aveco External Database

Technical Reference Sheet

TRS-1037-02

Aveco

[www.aveco.com](http://www.aveco.com)

Publication Date: July 2024

Copyright © 2024 Aveco

All product and application features and specifications are subject to change at Aveco's sole discretion at any time and without notice.

# Table of Contents

- Introduction ..... 1
  - Overview ..... 1
  - Topology ..... 1
- Package Contents ..... 2
- Installation ..... 3
- Technical Specifications ..... 4
- Operation ..... 5

# List of Figures

- 1. Database Servers - Topology ..... 1
- 2. Database Server - Front Panel Schematic ..... 4
- 3. Database Server - Back Panel Schematic ..... 4

# INTRODUCTION

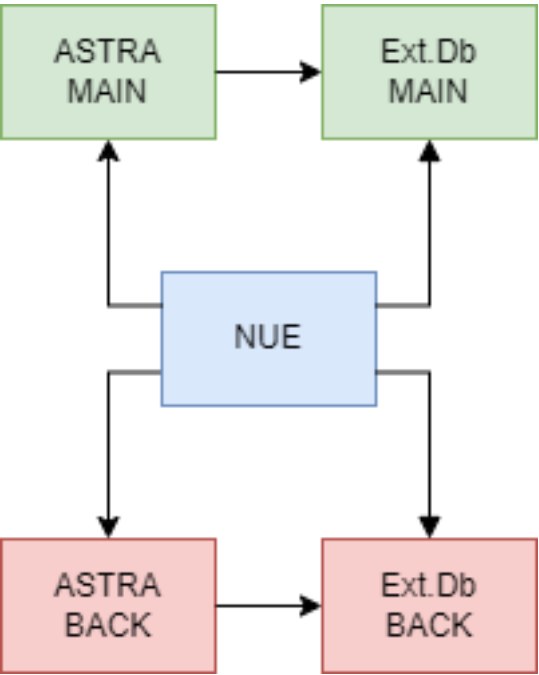
## OVERVIEW

Aveco’s External Database Servers, built on industrial-grade Linux platforms, are engineered to manage extensive media assets records crucial for ASTRA automation workflows. These servers are structured for optimal data retrieval and storage, incorporating RAID technology and routine backup protocols to ensure data integrity and redundancy. As key components within the ASTRA system, they interface directly with NUE clients and other system modules to provide robust and reliable automation support.

## TOPOLOGY

Both the ASTRA Main and ASTRA Backup servers are connected to their respective External Database servers (Main and Backup). The NUE client is connected to both the Ext.Db Main and Ext.Db Back servers as it can interact with either database server.

Figure 1. Database Servers - Topology



**PACKAGE CONTENTS**

<b>Qty</b>	<b>Content</b>
1	Database Server
1	Rack mount rails
2	Power cable, 1m

# INSTALLATION

The External Database Server comes pre-installed. It is only necessary to connect it to the Ethernet network. Please consult with the assigned Aveco technician on how to proceed with this step.

# TECHNICAL SPECIFICATIONS

Figure 2. Database Server - Front Panel Schematic

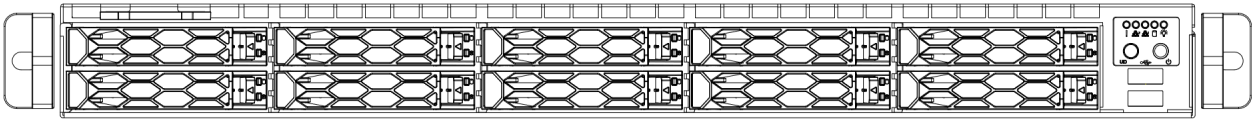
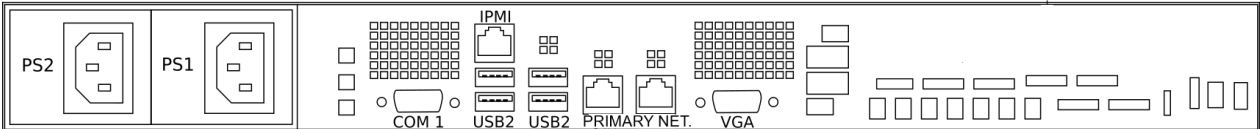


Figure 3. Database Server - Back Panel Schematic



Connectivity	
Ethernet	3x RJ45 (2x 10Gb LAN, 1x IPMI)
Physical	
Dimensions	1U, depth 600mm
Weight	~12kg
Power	
Power Supply	Redundant, hot swap, two power cords
Voltage	Input voltage 110-240V, 50-60Hz
Power Consumption	280 W

## OPERATION

The External Database Server is designed to operate independently, requiring no additional procedures for either initiating or terminating its services. Importantly, the database server must be up and running prior to the Astra automation server. This specific order is necessary to ensure proper data communication and to avoid any potential data processing conflicts.

The NUE clients have direct access to the database server. This direct interaction allows for efficient data exchange, bypassing any intermediary processes or systems.

In the event of any technical issues, these are signaled to users within the ASTRA NUE system status application. The status application is designed to provide timely alerts and status updates, ensuring that users are aware of any system problems as soon as they occur. For further information please refer to the NUE user manual.

In addition to the NUE client application, an external monitoring system also can be utilized to track and report malfunctions via SNMP.